

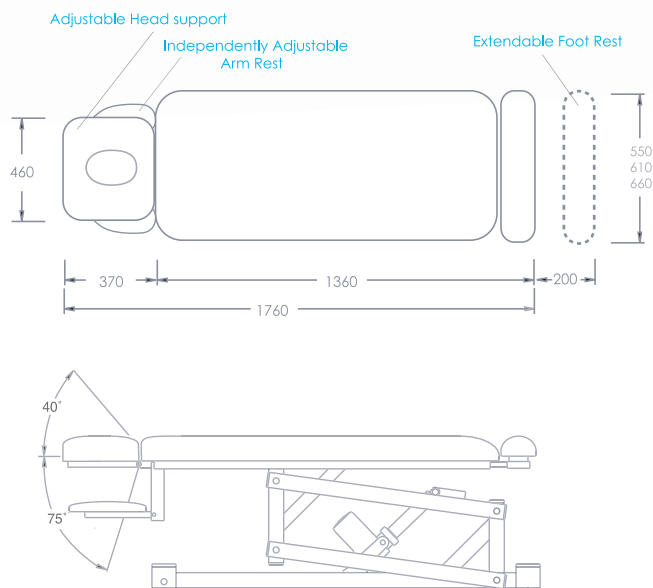
Approved by



Osteo™

The Athlegen Osteo table has been designed through consultation with the Australian Osteopathic Association (AOA). The unique, swing away prone armrest, provides improved practitioner access. The Osteo long life cushioning ensures superior patient comfort and the narrower adjustable head section allows excellent practitioner access.

The Athlegen Apollo Osteopathic table is endorsed by the Australian Osteopathic Association (AOA)



features

- Electric power height adjustment system is driven by a commercial grade linear actuator made in Germany ensuring fast, reliable and vibration free performance.
- Unique swing away prone arm rest provides improved practitioner access when required.
- 8 pivot lifting arm mechanism, super strong with self lubricating nylon bushes to ensure smooth and quiet operation.
- Firm Osteo cushioning designed especially for osteopathic treatments- foam construction incorporates firm edge technology.
- High quality protective coated vinyl with oil resistant properties; durable with a soft and comfortable feel.
- Narrowed, adjustable angle head support allows excellent practitioner access during treatments.
- Concealed wheels with adjustable floor levellers ensure a solid treatment platform.
- Durable powder coated rust resistant frame.
- Heavy duty stainless steel footswitch
- Built to last with very low maintenance.

specifications

Maneuverability

Concealed wheels with floor levelling adjustment.

Covering

PVC tested to AS 1441.11, AS 1530.3, AS 4088.1

Cushioning

CFC free, polyurethane foam

Frame

Powder coated, rust resistant steel frame

Maximum working height

990mm

Minimum working height

480mm

Maximum working load

175kg

Power requirements

240 VAC @ 3.4 AMPS

Table Length

Length with extendable foot rest (in retracted position) 1760mm
Length with extendable foot rest (in the fully extended position) 1960mm

Shipping dimensions

1900mm x 800mm x 800mm

Shipping weight

125kg

Warranty

Australia 5 years structural and 3 years motor. Extended warranty available. Other countries upon request.

OSTEO TABLE PRICE LIST – OCT 2008

All prices are GST inclusive



STANDARD FEATURES	\$3,900
Motorised height adjustment	STD
Swing away prone armrest	STD
Osteo adjustment foam: firm finish	STD
Adjustable length and height footrest	STD
Concealed casters	STD
Floor levelling adjustment	STD

TABLE TOP WIDTH	PRICE
<input type="checkbox"/> 550 width	\$120
<input type="checkbox"/> 610 width	N/C
<input type="checkbox"/> 660 width	\$120

TABLE ENHANCEMENTS	
<input type="checkbox"/> Face Recess Plug	\$45
<input type="checkbox"/> Additional foot control	\$240

UPHOLSTERY OPTIONS: (Stock table vinyl colour highlighted in red)		
Studio:	<input type="checkbox"/> Windsor (navy) <input type="checkbox"/> Pacific (mid blue) <input type="checkbox"/> Reef (green) <input type="checkbox"/> Plum <input checked="" type="checkbox"/> Grey	N/C
Condor:	<input type="checkbox"/> Balmain (navy) <input type="checkbox"/> Burnt Rose <input type="checkbox"/> Teal (green) <input type="checkbox"/> Black <input type="checkbox"/> White	N/C
Pellan:	<input type="checkbox"/> Bone (cream) <input type="checkbox"/> Navy <input type="checkbox"/> Coco (brown) <input type="checkbox"/> Black <input type="checkbox"/> White	\$145
Non standard colours extra charge (see website for colour range details)		\$95
Leather or other options		POA



Osteo Table

CUSHIONING OPTIONS - *Long life cushioning with high density edges		
<input type="checkbox"/> Osteo adjustment foam – firm finish*		N/C
<input type="checkbox"/> Apollo adjustment foam: very firm finish*		\$350

WARRANTY		
<input type="checkbox"/> Standard warranty: 3 years motor & 5 years frame		N/C
<input type="checkbox"/> Extended warranty: 5 years motor & 10 years frame		\$195

TABLE PROTECTION & OTHER ACCESSORIES		
<input type="checkbox"/> Bolster standard - height 110mm x 240mm x 560mm		\$55
<input type="checkbox"/> Bolster flat - height 150mm x 160mm x 560mm		\$55
<input type="checkbox"/> Towelling cover: Table top	<input type="checkbox"/> Navy <input type="checkbox"/> White	\$59
<input type="checkbox"/> Towelling cover: Prone armrest	<input type="checkbox"/> Navy <input type="checkbox"/> White	\$19
<input type="checkbox"/> Towelling cover: Bolster standard	<input type="checkbox"/> Navy <input type="checkbox"/> White	\$19
<input type="checkbox"/> Towelling cover: Bolster flat	<input type="checkbox"/> Navy <input type="checkbox"/> White	\$19
<input type="checkbox"/> Disposable face cradle hygiene covers (packet of 50)		\$19

Name:	Order/Invoice:

FREIGHT CHARGES	
STANDARD DELIVERY SERVICE	
METRO*	
Sydney, Melbourne, Adelaide, Brisbane	NOW INCLUDED
COUNTRY ZONES**	
VIC	\$55
NSW, SA, QLD	\$99
WA	\$198
PREMIUM DELIVERY SERVICE	
ALL AREAS	POA
NOTES	
* Metro zone includes Geelong, Ballarat, Wollongong, Newcastle, & Penrith.	
** Excludes Aust islands/ NT and Tas / WA north of Geraldton/ SA north of Woomera / Qld north of Rockhampton / Some outback regions: POA	
*** International: POA	