



"My Pro-Lift table has been used for a dozen treatments daily in a busy clinic for 16 years and is still going strong ... will definitely purchase from Athlegen again."

JULIA TERRIGAL
BODYWORKS

Pro-Lift: Podiatry

Perform an extensive range of treatments with this versatile and sturdy podiatry chair. Featuring a motorised seat tilt and manual backrest, it easily converts from a treatment chair to a completely flat table – the perfect chair for your practice.

SELECT FROM OVER 30 COLOURS AND FABRIC CHOICES INCLUDING POLYURETHANE (PU), VINYL (PVC) AND GENUINE ITALIAN LEATHER:



PRODUCT INFORMATION



FAST HEIGHT ADJUSTMENT

Save time with quick height adjustments from our extra powerful 10,000N German actuator - with smooth and quiet operation, our actuator is three times faster than most competing products.

MANUALLY ADJUSTABLE BACKREST

The adjustable backrest is 950mm in length, making it perfect for taller patients. An optional face hole, face plug and neck bolster are also available (shown above).

MOULDED ARMRESTS

Moulded armrests allow seated clients to relax completely. They can be entirely removed or flipped out of the way when clients need to get on and off the table or if increased practitioner access is necessary.



MOTORISED SEAT TILT

The tilt seat greatly enhances patient comfort during treatments. The Podiatry chair has a power-driven seat tilt perfect for positioning patients quickly and effortlessly.

MANUALLY ADJUSTABLE LEG SECTION

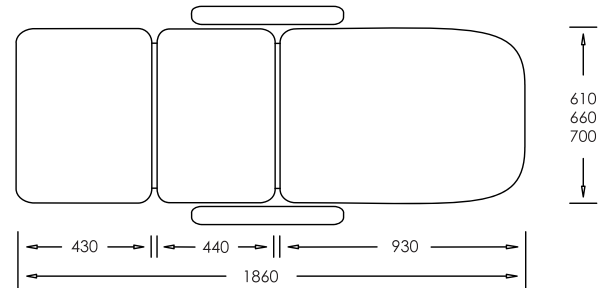
The leg section can be adjusted down to 90°. The leg section automatically locks in place when the handle is released.

OPTIONAL SPLOYED LEG SECTION

Choose between our straight-sided or splayed leg section. Our splayed leg section has a wider foot end and increased leg room for larger patients. When this option is selected, all tops are made with a 700mm wide end.

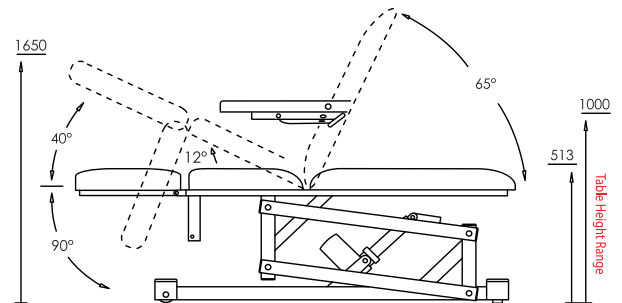
KEY OPTIONS

	STANDARD		OPTIONAL	
DUNLOP CUSHIONING	55mm, medium finish		Enduro (70mm, firm finish) Luxura (80mm, luxurious finish)	
BACKREST	Manual lift-up back		N/A	
FACE HOLE OPTIONS	No face hole		In the backrest	Face hole plug
MOULDED ARMRESTS	Removable		N/A	
LEG SECTION	Straight sides		Increases to 700mm wide at foot end	
BASE STYLE	Concealed in-line wheels		75mm locking castors	
HEIGHT FOOTSWITCH	Single		One on each side of the table	
SEAT TILT FOOTSWITCH	Single		One on each side of the table	
TABLE WIDTH	610mm	660mm	700mm	



KEY SPECIFICATIONS

ADJUSTMENTS	Manually adjustable backrest: +65° Manually adjustable foot section: +40° to -90° Motorised seat tilt: +12°
SAFE WORKING LOAD	220kg
MOTOR	Lift force: 10,000N Speed: 37mm/sec Height adjustment (min to max): 487mm in 13 seconds Speed test load: 180kg
SECONDARY MOTOR	Lift force: 4,000N Speed: 11mm/sec
FOOTSWITCH	Ergonomic low profile design (20mm) Stainless steel Pneumatic control
SHIPPING	1930 x 730 x 720mm 125kg
WARRANTY	Structural: 15 years Hardware: 5 years Motor: 3 years Footswitch: 1 year Upholstery: To arrive in perfect condition



Athlegen is a brand of
Alevo Pty Ltd © 2019



All dimensions (shown in mm) and specifications are approximate and are subject to manufacturing tolerances.

#201105