

Value-Lift Treatment

Three Section Model: R3003

Better tables for less

The power driven height adjustment allows easy access for elderly and incapacitated patients while also achieving an ergonomic working platform for the practitioner.

The Treatment Value-Lift is a versatile table suitable for a wide range of modalities, or any multi modality practice. Ideal for:

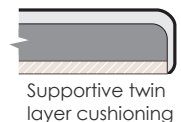
- Patient assessment and examination
- Physiotherapy
- Massage
- Beauty therapy
- Waxing
- First aid



Why Centurion?

We know treatment tables! Over 30 years experience in designing and manufacturing power driven treatment tables in Australia.

- Quality treatment tables at an affordable price.
- Designed in Australia.
- All models meet our strict QC requirements.
- All models employ high quality, powerful linear actuators.
- We stock spare parts and employ our own service technicians.



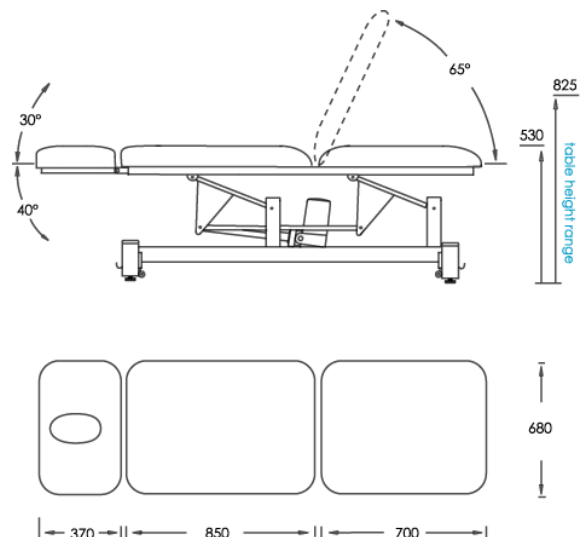
features

- Electric power height adjustment is driven by a high powered, quiet 6000 N Linak motor ensuring fast and vibration free performance.
- Control box with a standardized IEC connector and detachable power cord. Because the power cord is not hard wired it is easy and inexpensive to replace if damaged.
- Stainless steel foot switch to operate table height adjustment.
- A gas assisted backrest that can be adjusted through a wide range of angles very easily.
- Head section is gas assisted and can be finely adjusted to enable the prone patient to fully relax their neck muscles, giving optimum comfort during treatments such as massage.
- A face recess in the adjustable angle head section (short head section)
- In use, the table sits securely on four solid supports that can be adjusted for an uneven floor.
- A foot operated retractable wheel system allows easy manoeuvrability when required.
- Durable powder coated frame.
- Pivot lifting arm mechanism, super strong, with all pivots bushed to ensure smooth and quiet operation.
- High quality Navy blue protective coated PU vinyl with oil resistant properties.
- Upholstery construction features 60 mm of 2 layers of high density cushioning.

Value-Lift Treatment

Three Section Model: R3003

Better tables for less



specifications



Backrest

Gas spring operated backrest:
0 to 90°.

Head section

Gas spring operated head section:
+30° to -40°.

Face hole recess

In the head section.

Upholstery fabric

PU Navy blue

Cushioning

60 mm, 2 layers, high density foam

Electric height adjustment motor

Linak 6000 N of force

Height adjustment range

530 mm to 825 mm

Table top dimensions

680 mm wide, 1950 mm long

Table weight

54 kg

Manoeuvrability

Foot operated retractable wheel system with 360° rotation nylon castors with steel bearings, and rubber wheel tread.

Stability

Four adjustable floor levelling feet.

Foot controlled height adjustment

Stainless steel foot switch

Recommended safe working load

Table: 165 kg maximum; (static load 400 kg)

Head section: 40 kg maximum.

Shipping dimensions

1970 mm x 770 mm x 740 mm

Shipping weight

74 kg

Warranty

Table: 5 year frame

Motor and control box: 2 year

Footswitch: 2 year

Gas strut: 2 year;

Vinyl: to arrive in perfect condition.