



"The table is perfect and I am really happy with the quality, material and colour. Your company made the whole process incredibly simple and efficient and delivered on time."

CAROLYN AUSTIN

## Pro-Lift Treatment MB

Featuring a longer 730mm motorised backrest, this versatile table is suitable for a wide range of modalities, including physiotherapy, acupuncture, radiology, cardiology, beauty treatments or any multi-modality practice.

SELECT FROM OVER 30 COLOURS AND FABRIC CHOICES INCLUDING POLYURETHANE (PU), VINYL (PVC) AND GENUINE ITALIAN LEATHER:



## PRODUCT INFORMATION



### MOTORISED BACKREST

Reduce practitioner injury with a convenient motorised backrest for fast and effortless patient positioning.



### OPTIONAL PATIENT SAFETY RAILS

Order safety rails on one or both sides of the table. Easy to fit and remove, safety rails provide additional safety during examinations or procedures.



### FACE HOLE OPTIONS

Order with or without a face hole. Order a face hole plug to help move patients quickly between prone and supine positions - no need to rotate the patient to the other end of the table to avoid the face hole.



### OPTIONAL SIDE SUPPORT

Provide additional patient support during procedures. Available in one or both sides. The side support is 610mm long and 210mm wide.



### FOAM OPTIONS

Choose between five Dunlop® cushioning systems ranging from Ultra Firm to luxurious Viscoflex® slow release memory foam. We have the right foam system to suit your modality.

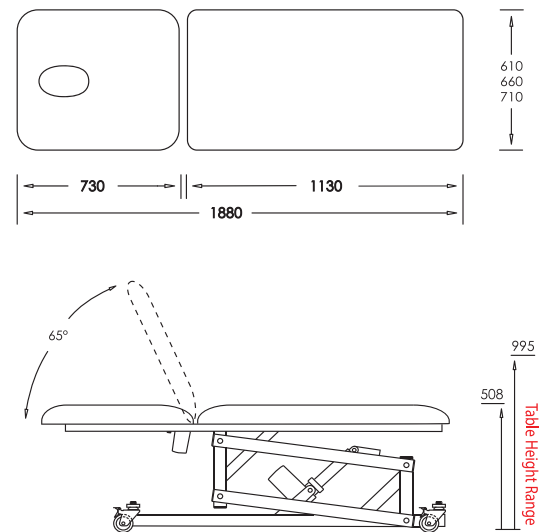


### BASE STYLE

Choose between our Standard base with concealed in-line wheels and floor-levelling feet or our lockable Castor base for easy manoeuvrability. Also available with optional hospital-grade 100mm castors.

## KEY OPTIONS

	STANDARD		OPTIONAL	
<b>DUNLOP CUSHIONING</b>	55mm, medium finish		Enduro (70mm, firm finish) Luxura (80mm, luxurious finish) Firm (50mm, firm finish) Ultra Firm (50mm, very firm finish)	
<b>FACE HOLE</b>	No face hole		In the backrest	
<b>FACE HOLE PLUG</b>	No face hole plug		Optional	
<b>SAFETY RAILS</b>	No rails		Single safety rail	Two safety rails
<b>SIDE SUPPORT</b>	No side support		Single side support	Twin side supports
<b>BASE STYLE</b>	Concealed in-line wheels	75mm locking castors	100mm hospital-grade castors	
<b>HEIGHT FOOTSWITCH</b>	Single		One on each side of the table	
<b>BACKREST FOOTSWITCH</b>	Single		One on each side of the table	
<b>TABLE WIDTH</b>	610mm	660mm	710mm	



## KEY SPECIFICATIONS

<b>ADJUSTMENTS</b>	Motorised backrest: +65°
<b>SAFE WORKING LOAD</b>	220kg
<b>MOTOR</b>	Lift force: 10,000N Speed: 37mm/sec Height adjustment (min to max): 487mm in 13 seconds Speed test load: 180kg
<b>SECONDARY MOTOR</b>	4,000N 11mm/sec
<b>FOOTSWITCH</b>	Ergonomic low profile design (20mm) Stainless steel Pneumatic control
<b>SHIPPING</b>	1930 x 730 x 720mm 125kg
<b>WARRANTY</b>	Structural: 15 years Hardware: 5 years Motor: 3 years Footswitch: 1 year Upholstery: To arrive in perfect condition

Athlegen is a brand of  
Alevio Pty Ltd © 2019



All dimensions (shown in mm) and specifications are approximate and are subject to manufacturing tolerances.

#200305